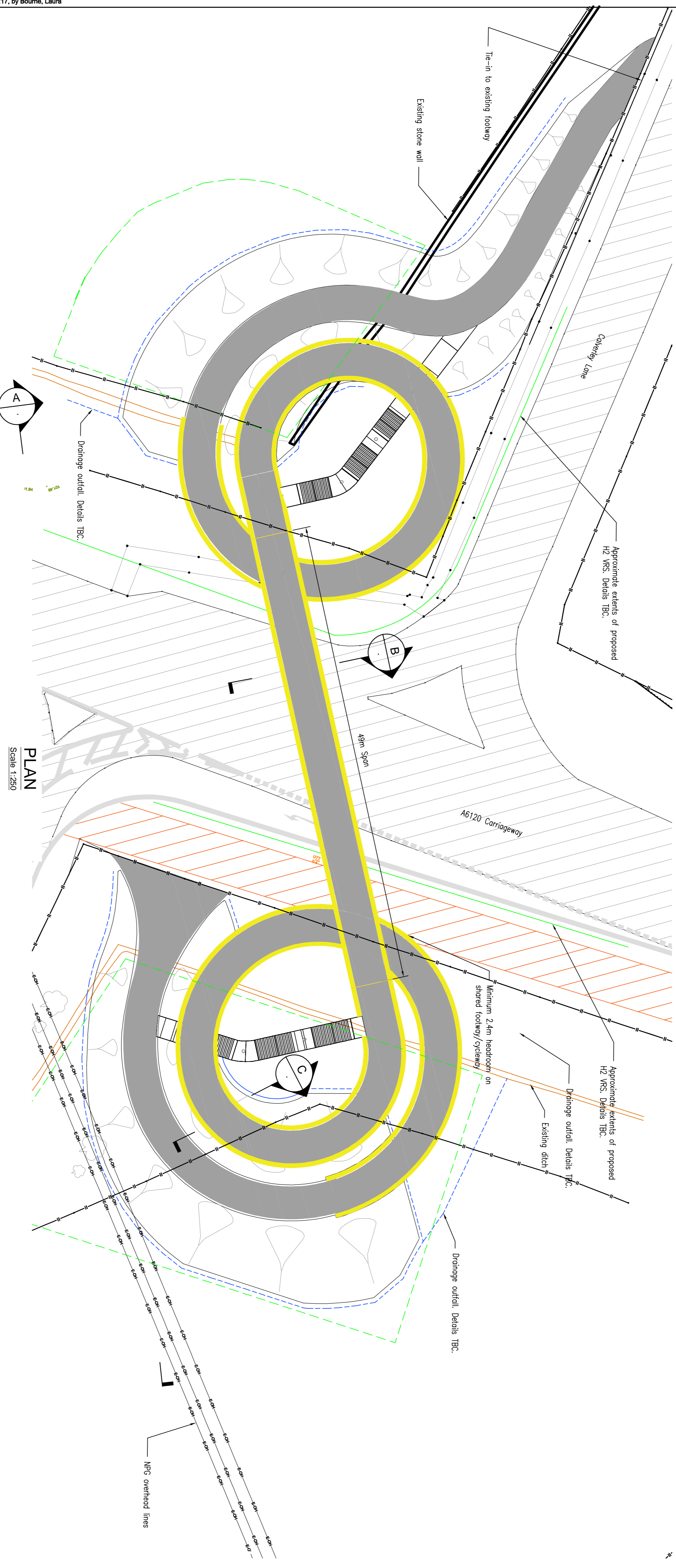
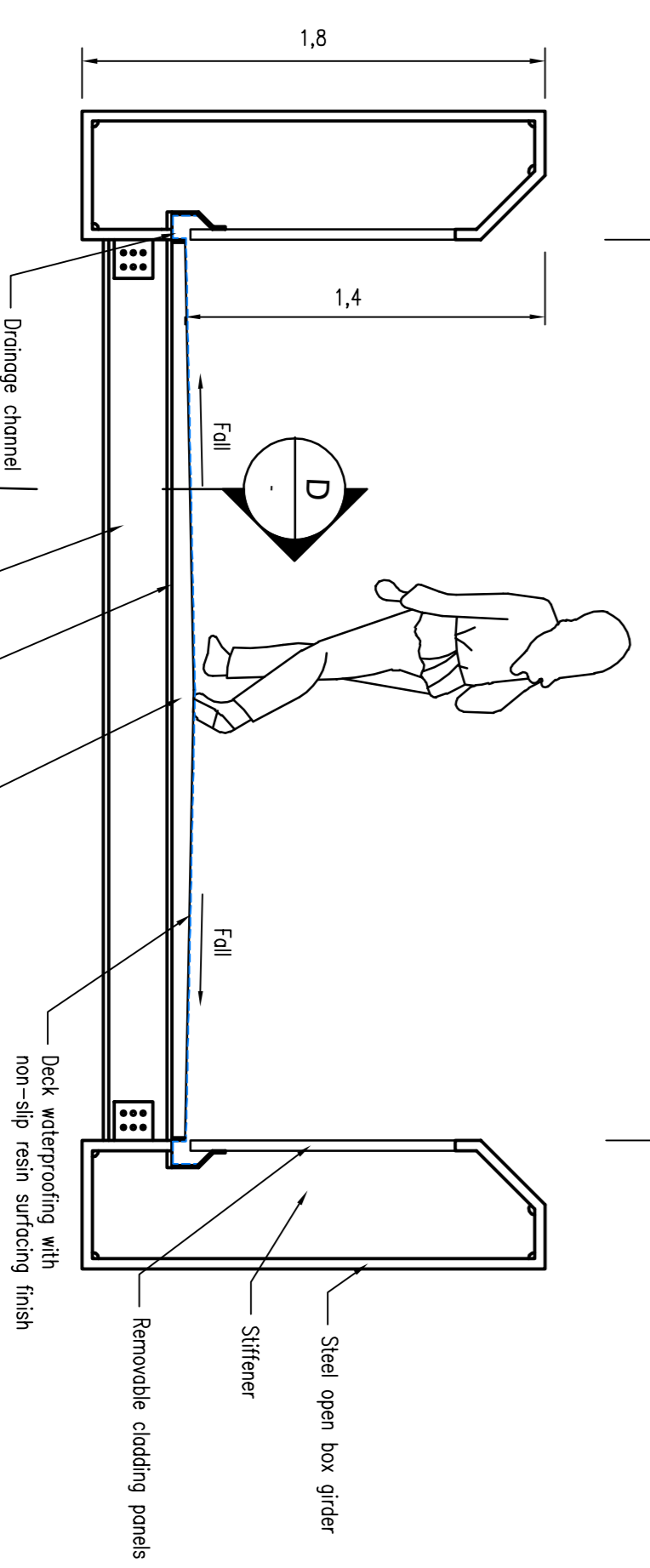


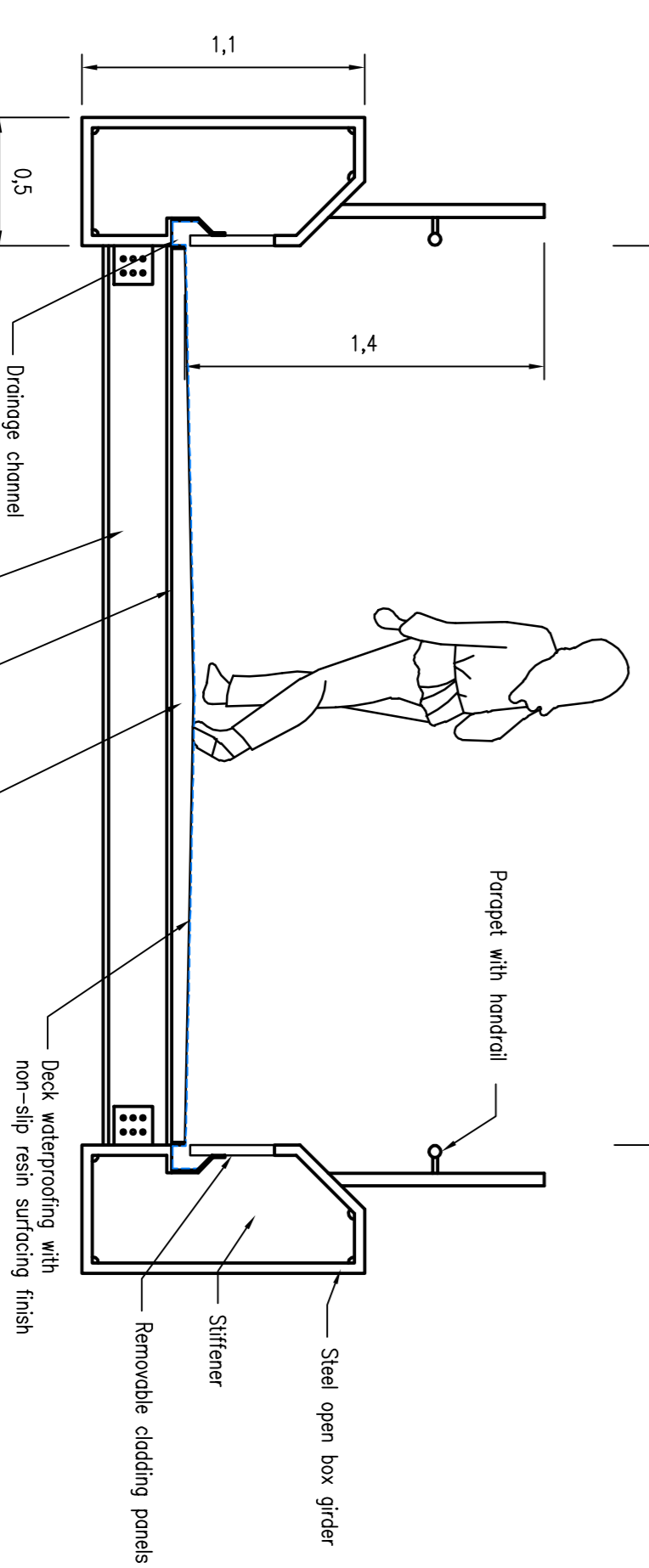
**ELEVATION A-A**  
Scale 1:250



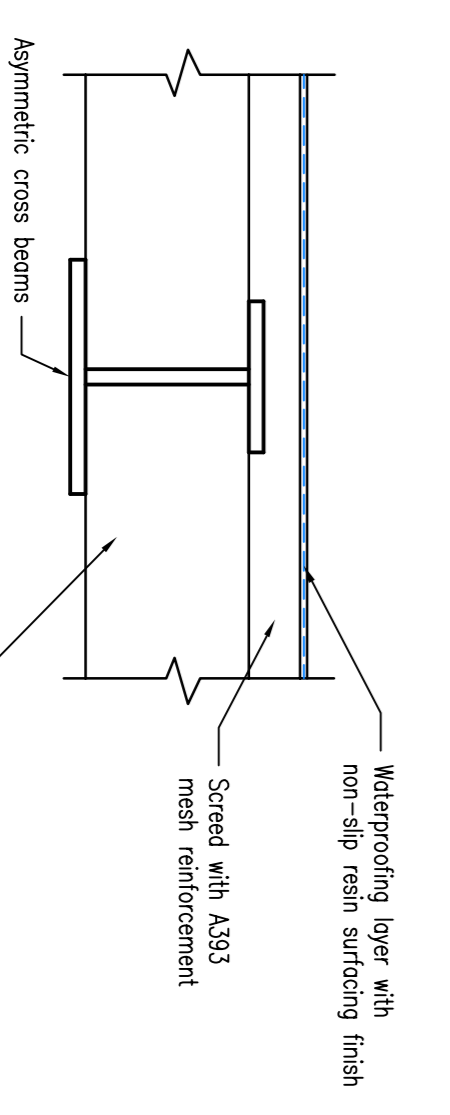
**PLAN**  
Scale 1:250



**SECTION B-B**  
Scale 1:25



**SECTION C-C**  
Scale 1:25



**SECTION D-D**  
Scale 1:10

**DO NOT SCALE**

- NOTES:**
1. DIMENSIONS IN MM UNLESS STATED OTHERWISE
  2. THIS GENERAL ARRANGEMENT DRAWING HAS BEEN PRODUCED FOR THE APPROVAL IN PRINCIPLE. BRIDGE RAMP STAIRS AND FOUNDATIONS ARE SUBJECT TO DETAILED DESIGN.
  3. SERVICES ARE OMITTED FROM THIS DRAWING.

**KEY:**

- DRAINAGE
- STEEL BOX GIRDER
- CARRIAGEWAY
- SHARED FOOTWAY/CYCLEWAY
- LAND PURCHASE BOUNDARY
- PROPOSED VRS
- EXISTING FENCE

REV	DATE	DESCRIPTION	CHK	APP

**DRAWING STATUS:**  
S0 - WORK IN PROGRESS



Unit 9 Kinnegill Drive, Holywood, County Down, BT18 9LQ, UK  
T +44 (0) 28 9042 4117  
wsp.com

**CLIENT:**  
LEEDS CITY COUNCIL

**PROJECT:**  
NOT APPLICABLE

**STRUCTURE:**  
CALVERLEY LANE FOOTBRIDGE

**TITLE:**  
CALVERLEY LANE FOOTBRIDGE  
GENERAL ARRANGEMENT

DATE	BY	CHECKED	PL	APPROVED
AS SHOWN				

PROJECT NO.	ISSUED:	FRANK:	DATE:	REV:
70098066	SM	SM	27/10/2023	

© WSP UK Ltd